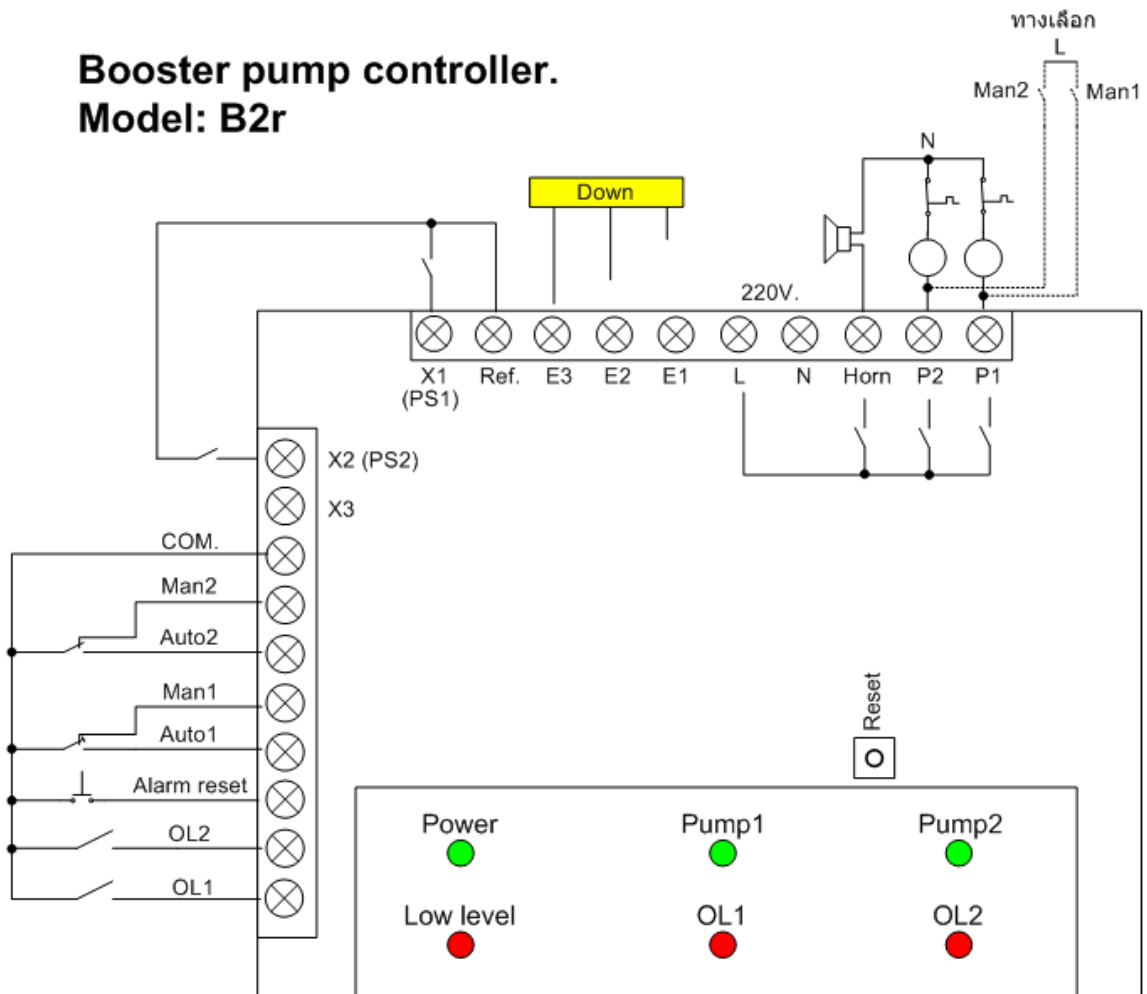




## Booster pump controller with LED.

Model: B2r-box

## Booster pump controller. Model: B2r



Dimension: 164x164x45 mm<sup>3</sup>.

Level electrode: 3

Alarm clause: low level and motor overload.

Delay off timer: 0, 5, 10, 15 sec.

Power supply: 220V.

