

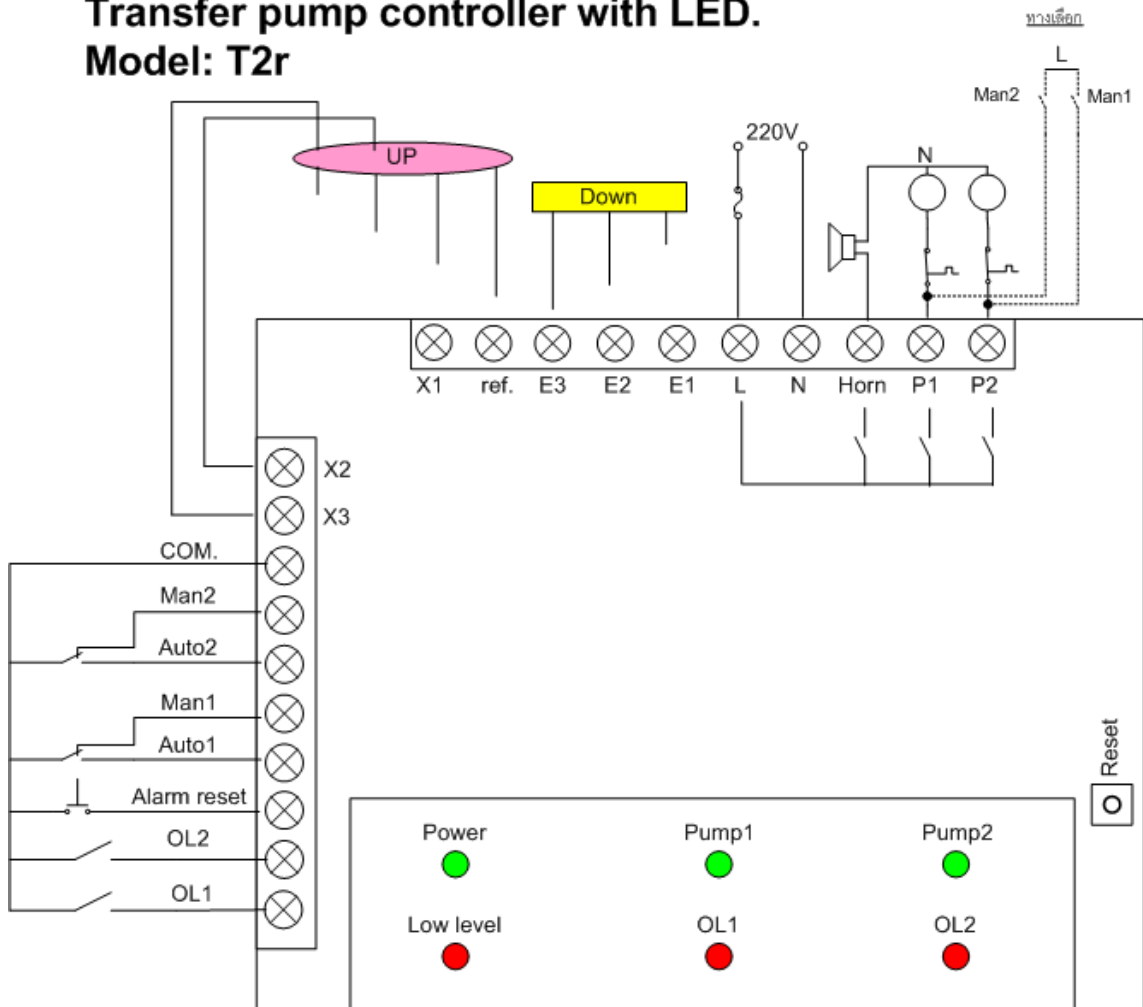


Transfer pump controller with LED.

Model: T2r-box

**Transfer pump controller with LED.**

**Model: T2r**



Dimension: 164x164x45 mm<sup>3</sup>.

Level electrode(ground tank / roof tank): 3/4

Alarm clause: low level and motor overload.

Power supply: 220V.

